



SLOAN AG
 Birmanngasse 8
 CH-4009 Basel
 Tel. ++41 61 264 10 60
 Fax. ++41 61 264 10 75
 info@sloan-basel.cor



Serie 952, Crosslight

LED indicator

LED Signalleuchte

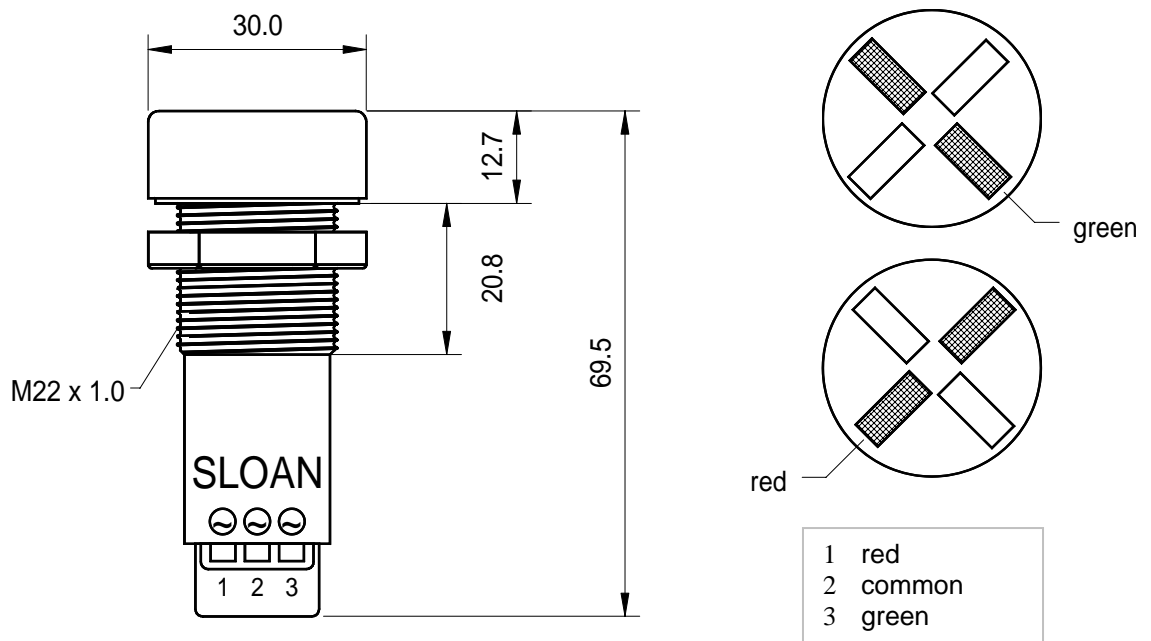
Lampe de signalisation LED

All specification according to information from our manufacturers, without additional guarantee on our part. Further types on request.

Part-Number	Lens PC (LEXAN)	Colour	Protection	Rated Voltage V	Forward Current mA	Operating Temperature °C	Panel Thickness mm	Dimensions of Wires mm2
952RG0D	smoked	red / green	IP65	24 AC/DC	20	-25 ~ + 60	0.5 – 12.0	0.5 – 1.5

Mounting Hole: Ø 22mm
Lifetime: 100.000 hrs
Material: Thermoplast ABS meets UL94V-0/1,6

Dimensions



1. All dimensions are in millimetres.
 2. Tolerance is ±0.25mm unless otherwise specified.
 3. Specifications are subject to change without notice.