

2.54 Pitch 73001, 73002 SERIES CONNECTOR



2.54 mm Pitch Card Edge Connector



73001P Straight Connector

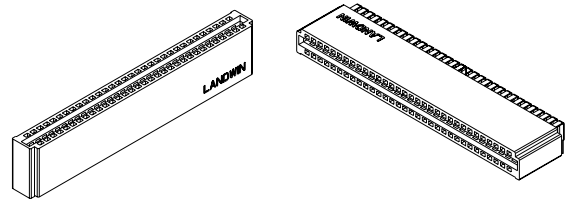
73002P Right-Angle Connector

Specifications

- ◇ Current rating: 7A AC/DC
- ◇ Withstand Voltage: 1000V AC/Minute
- ◇ Contact Resistance: 35 mΩ (Power) Max. before environment test
- ◇ Insulation Resistance: 5000 MΩ Min.
- ◇ Temperature Range: -20°C to 105°C
- ◇ Applicable PC Board Thickness: 1.6mm

Reference

- ◇ Mates with P.C. Board with 1.6 mm in thickness

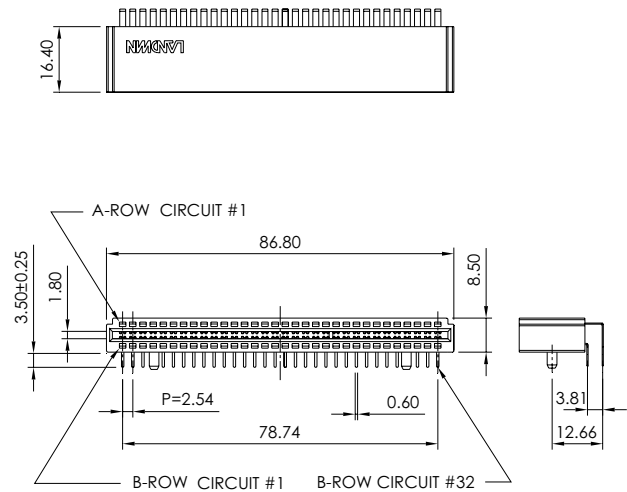
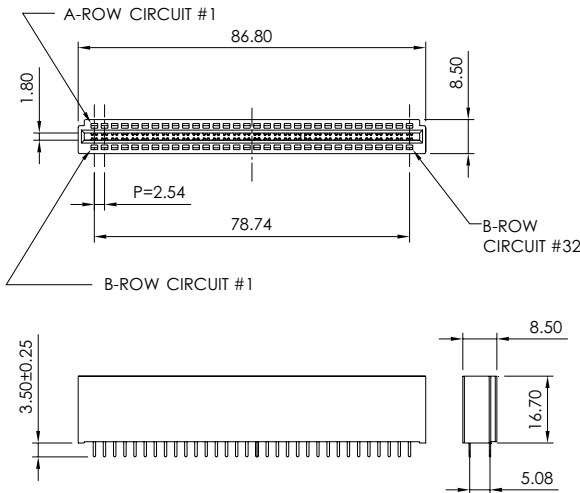


P/N: 73001P6406H

- ※ Circuits = 64 Ports / 32 Ports per row
- ※ Pitch : 2.54 mm
- ※ Material:
Base: High HDT Nylon 94V-0, Black
Pin: Phosphor Bronze with Select Gold-Plated
(Matte Tin-Plated for Soldering Area)
- ※ Available Halogen-free P/N of replacement:
P/N: 73001P6406H-BNH

P/N: 73002P6406H

- ※ Circuits = 64 Ports / 32 Ports per row
- ※ Pitch : 2.54 mm
- ※ Material:
Base: High HDT Nylon 94V-0, Black
Pin: Phosphor Bronze with Select Gold-Plated
(Matte Tin-Plated for Soldering Area)
- ※ Available Halogen-free P/N of replacement:
P/N: 73002P6406H-BNH



RECOMMENDED PCB LAYOUT

