

# FD4015 SERIES

Y.S. TECH



## 40x40x15mm

- Airflow: 6.1~9.5 CFM
- Static Pressure: 4.6~8.7 mm-H<sub>2</sub>O
- Blade / Housing: Plastic Material UL 94V-0 P.B.T.
- Lead Wire: UL1007 #26 AWG
- Weight: 26 g

Model No.	Bearing	Rated Voltage VDC	Operating Voltage Range VDC	Speed RPM	Max. Airflow CFM	Max. Static Pressure mm-H <sub>2</sub> O	Current mA	Power Consumption W	Life at 40°C L10 Hour	P-Q Curve	Noise Level dB(A)
FD054015LB	2B	05	4~5.5	6000	6.1	4.6	200	1.00	80000	3	28.0
FD054015MB	2B		4~5.5	7300	7.5	6.8	280	1.40	80000	2	32.0
FD124015LB	2B	12	7~13.2	6000	6.1	4.6	80	0.96	80000	3	28.0
FD124015MB	2B		7~13.2	7300	7.5	6.8	120	1.44	80000	2	32.0
FD124015HB	2B		7~13.2	8500	9.5	8.7	160	1.92	75000	1	36.5

2B: 2-ball bearing BS: 1-ball 1-sleeve bearing L: sintetico bearing S: sleeve bearing

**Voltage Available**

05 12 24 48

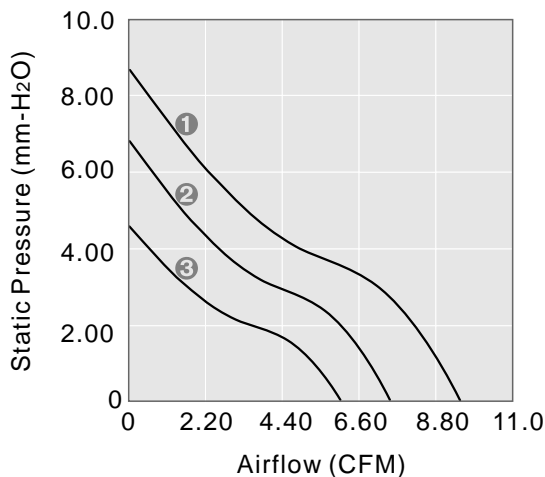
**Bearing System Available**

2B L S

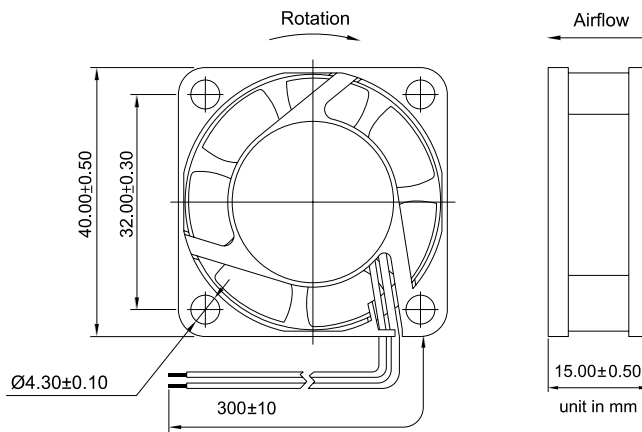
**Function Available**

N A I F R Q S T M V C P D W U

**PERFORMANCE P-Q CURVE**



**OUTLINE DIMENSIONS**



Please refer to *Model Numbering System* for bearing, function and speed level indication. Specifications are subject to changes without notice. Please refer to the formally issued product specification via contacting Y.S. TECH sales department. Visit Y.S. TECH web site at <http://www.ystech.com.tw> for updated information. Customized Specifications are designed accordingly.