

Automotive 66501 SERIES



6.0 PITCH POWER CONNECTOR



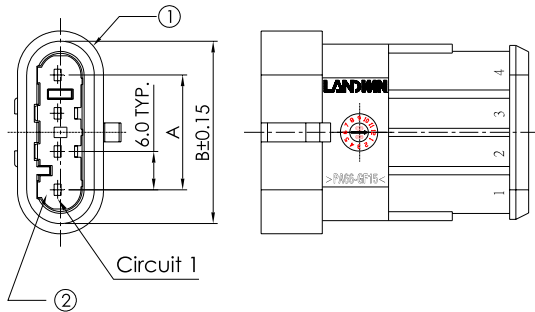
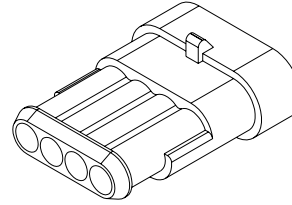
66501S Plug Housing

Specifications

- ◇ Current rating: 20A DC/AC (with 2.5mm² wire)
- ◇ Voltage Range: 24V AC,DC
- ◇ Withstand Voltage: 1000V AC/Minute
- ◇ Insulation Resistance: 1000 M Ω Min.
- ◇ Contact Resistance: 5 m Ω Max. before environment test
- ◇ Temperature Range: -30 $^{\circ}$ C to 125 $^{\circ}$ C
- ◇ Wire Range: 0.8 mm² to 2.5 mm² (AWG 14 – 18)

Reference

- ◇ Use with 66501T Pin-Contact Terminal
- ◇ Mates with 66502S Receptacle Housing



Ordering Information

Circuits	Part No.	Dimension		
		A	B	C
2	66501S0231	6.0	16.6	19.8
3	66501S0331	12.0	22.6	25.8
4	66501S0431	18.0	28.6	31.8
5	66501S0531	24.0	34.6	37.8
6	66501S0631	30.0	40.6	43.8

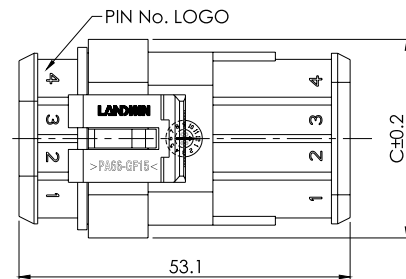
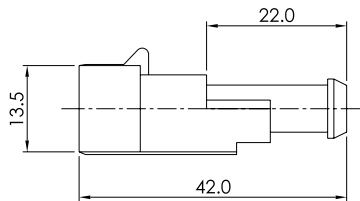
Material

Part	Material	Q'ty
Housing	Glass-Filled PA66, UL 94V-0, Black	1
Cover Cap	Glass-Filled PA66, UL 94V-0, Brick Red	1

※ Available P/N of Halogen-Free replacement:
66501S xx 31-BNH (xx : Circuit No.)

※ Cable Seal is separately ordered according to cable size.

- Items:
1. Housing
 2. Cover Cap
 3. Cable Seal

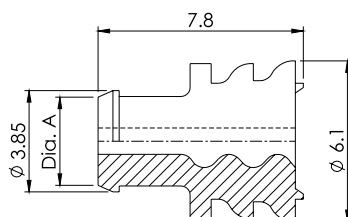


Assembly Layout

66502VA Cable Seal

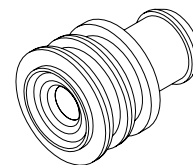
Reference

- ◇ Mates with 66501S, 66502S Housing



Description: Cable Seal
Part No.: 66502VAX43

- X=0, No hole
- X=1, Dia. A = 1.1 mm
- X=2, Dia. A = 1.4 mm
- X=3, Dia. A = 1.8 mm



Automotive 66502 SERIES



6.0 PITCH POWER CONNECTOR

RoHS REACH LF HFA

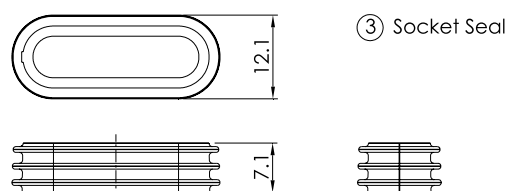
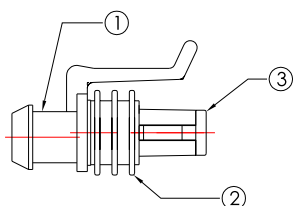
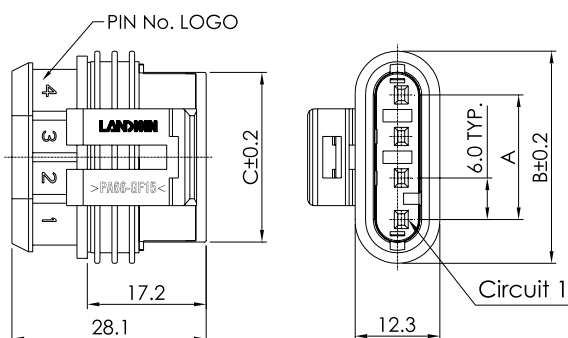
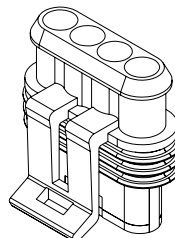
66502S Receptacle Housing

Specifications

- ◇ Current rating: 20A DC/AC (with 2.5mm² wire)
- ◇ Voltage Range: 24V AC,DC
- ◇ Withstand Voltage: 1000V AC/Minute
- ◇ Insulation Resistance: 1000 M Ω Min.
- ◇ Contact Resistance: 5 m Ω Max. before environment test
- ◇ Temperature Range: -30 $^{\circ}$ C to 125 $^{\circ}$ C
- ◇ Wire Range: 0.8 mm² to 2.5 mm² (AWG 14 – 18)

Reference

- ◇ Use with 66502T Terminal
- ◇ Mates with 66501S Plug Housing
- ◇ Mates with 66502VA cable seal



Ordering Information

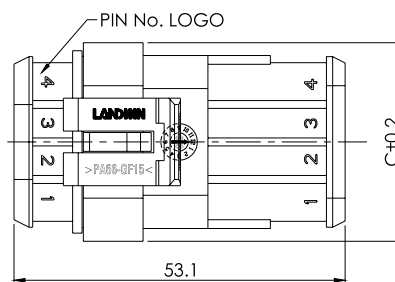
Circuits	Part No.	Dimension		
		A	B	C
2	66502S0231	6.0	18.4	12.5
3	66502S0331	12.0	24.6	18.5
4	66502S0431	18.0	30.7	24.5
5	66502S0531	24.0	36.8	30.5
6	66502S0631	30.0	42.5	36.5

Material

Part	Material	Q'ty
Housing	Glass-Filled PA66, UL 94V-0, Black	1
Socket Seal	Silicone Rubber, Yellow	1
Cover Cap	Glass-Filled PA66, UL 94V-0, Brick Red	1

※ Available P/N of Halogen-Free replacement:
66502S xx 31-BNH (xx : Circuit No.)

※ Cable Seal is separately ordered according to cable size.

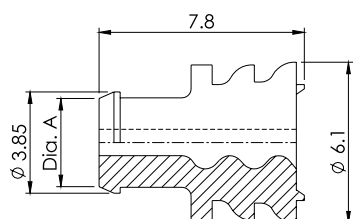


Assembly Layout

66502VA Cable Seal

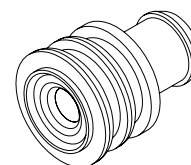
Reference

- ◇ Mates with 66501S, 66502S Housing



Description: Cable Seal
Part No.: 66502VAX43

- X=0, No hole
- X=1, Dia. A = 1.1 mm
- X=2, Dia. A = 1.4 mm
- X=3, Dia. A = 1.8 mm



Automotive 66502 SERIES

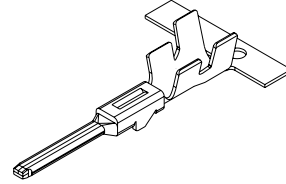
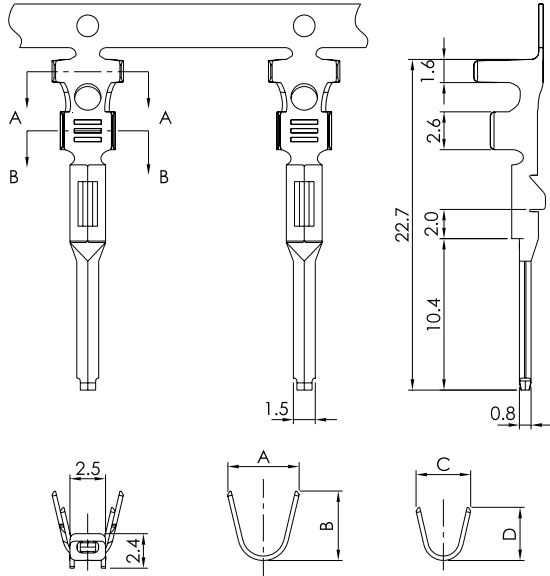
6.0 PITCH POWER CONNECTOR

RoHS REACH LF

66501T PIN-Contact Terminal

■ Reference

- ◇ Mates with 66502T Terminal
- ◇ Use 66501T012R with 66501S Plug Housing
- ◇ Use 66501T022R with 6506M Housing



Ordering Information

Part Number	Applicable Wire		Q'ty / Reel
	AWG #	Insulation O.D. mm	
66501T012R	14 - 18	3.3 Max.	3,000
66501T022R	16 - 22	2.5 Max.	3,000

Material

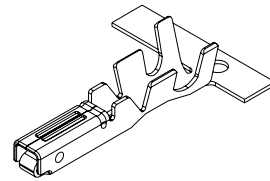
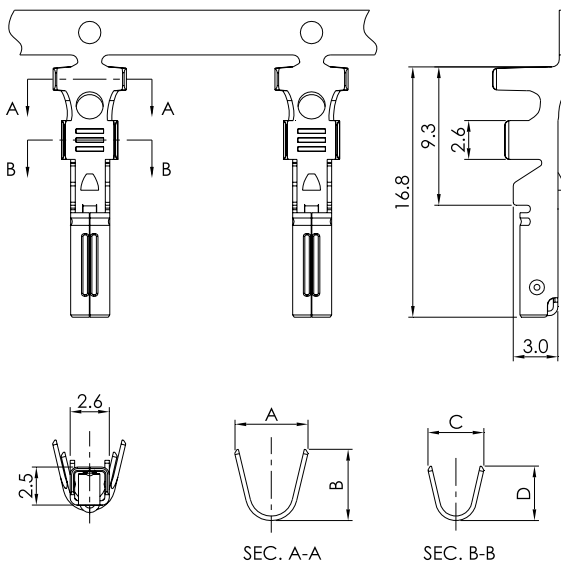
Part No.	Material / Plating	Dimension			
		A	B	C	D
66501T012R	Brass	4.9	4.8	3.2	3.3
66501T022R	Tin-Plated	4.4	4.2	3.2	3.3

※ Halogen-Free Product

66502T Receptacle Contact Terminal

■ Reference

- ◇ Mates with 66501T Terminal
- ◇ Mates 66502T011R with 66502S Receptacle Housing
- ◇ Mates 66502T021R with 6506F Plug



Ordering Information

Part Number	Applicable Wire		Q'ty / Reel
	AWG #	Insulation O.D. mm	
66502T011R	14 - 18	3.3 Max.	3,000
66502T021R	16 - 22	2.5 Max.	3,000

Material

Part No.	Material / Plating	Dimension			
		A	B	C	D
66502T011R	Phosphor Bronze	4.9	4.8	3.2	3.3
66502T021R	Tin-Plated	4.4	4.2	3.2	3.3

※ Halogen-Free Product

Automotive 6501, 6505 SERIES



6.0 Pitch Power Connector



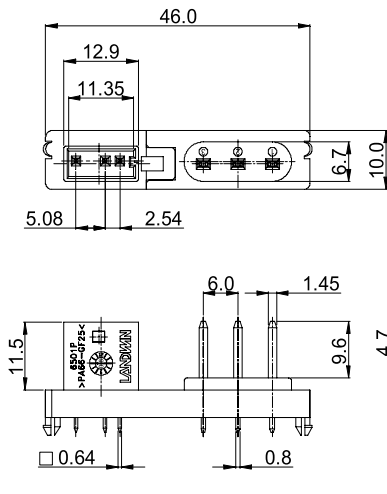
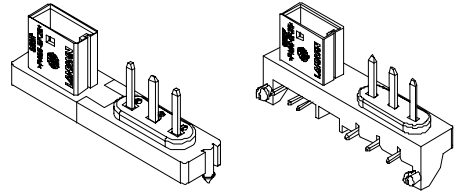
6501P, 6505P HID Connector

■ Specifications

- ◇ Current rating : 4A (Pitch 6.0mm), 0.7A (Pitch 2.54mm, 5.08mm)
- ◇ Voltage Range : 200V AC,DC
- ◇ Withstand Voltage : 1000V AC/Minute (Pitch 6.0mm)
2000V AC/Minute (Pitch 5.08mm)
1500V AC/Minute (Pitch 2.54mm)
- ◇ Insulation Resistance : 1000 MΩ Min.
- ◇ Temperature Range: -40°C to 105°C

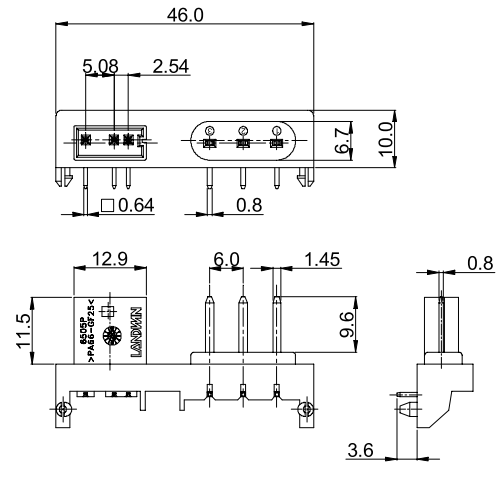
■ Reference

- ◇ Use in HID ballast's connector



PART NO.: 6501P06A7V

Straight type



PART NO.: 6505P0607V

Right Angle type

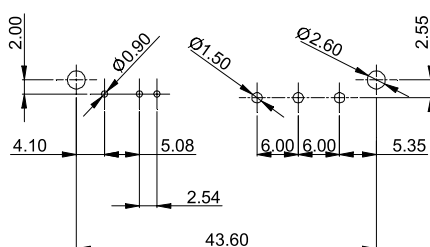
Material

Part	Material
Housing	PA66+25%GF UL94V-0,Black
Terminal	Brass, Matte Tin-Plated

✳ Available P/N of Halogen-Free replacement:
6501P06A7V-BNH
6505P0607V-BNH

P.C. Board Layout / Assembly Layout

Straight Type



Right Angle type

