

2.54-5.08 Pitch 5085 SERIES CONNECTOR



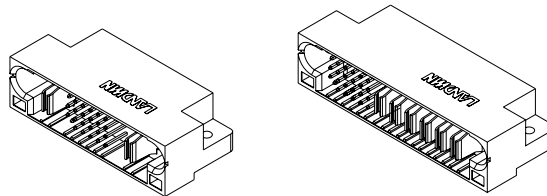
2.54 – 5.08 mm Pitch Board to Board Connector



5085P Right-Angle Header Power Pitch=5.08mm

Specifications

- ◇ Current rating: 2.5A (Signal), 30A (Power) AC/DC
- ◇ Voltage Range: 12V (Signal), 48V (Power) AC,DC
- ◇ Withstand Voltage: 1000V (Signal), 2500V (Power) AC/Minute (before environment test)
- ◇ Contact Resistance: 20 mΩ (Signal), 0.5 mΩ (Power) Max.
- ◇ Insulation Resistance: 5000 MΩ (Signal), 20000 MΩ Min.
- ◇ Temperature Range: -20°C to 105°C
- ◇ Applicable PC Board Thickness: 1.6mm

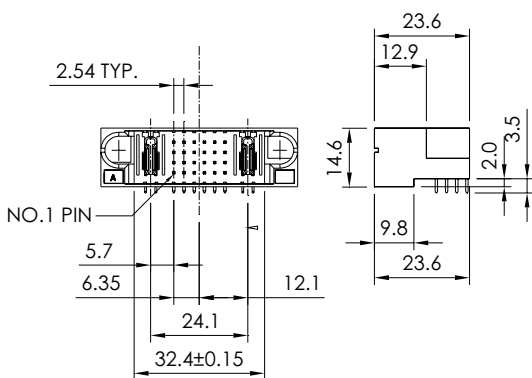


Reference

- ◇ Mates with 5850R Socket Housing (Not Available)

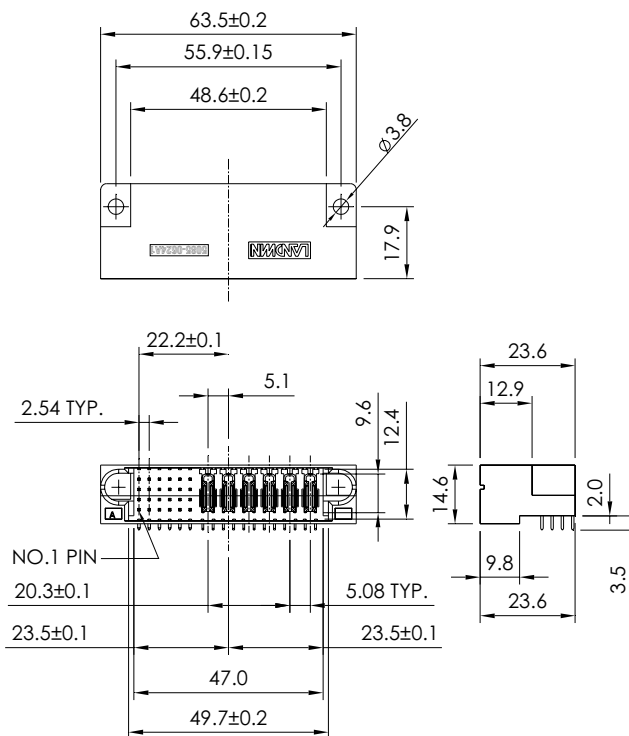
P/N: 5085P023CH-24C1

- ※ POWER = 1+1 PORTS (PITCH 5.72)
- ※ SIGNAL = 24 PORTS (PITCH 2.54)
- ※ Material:
Base: High HDT Nylon 94V-0, Black
Power Pin: Brass with Select Gold-Plated
Signal Pin: 0.64 Sq. Brass with Select Gold-Plated
- ※ Available Halogen-free P/N of replacement:
P/N: 5085P023CH-24C1-NH



P/N: 5085P063CH-24A1

- ※ POWER = 6 PORTS (PITCH 5.08)
- ※ SIGNAL = 24 PORTS (PITCH 2.54)
- ※ Material:
Base: High HDT Nylon 94V-0, Black
Power Pin: Brass with Select Gold-Plated
Signal Pin: 0.64 Sq. Brass with Select Gold-Plated
- ※ Available Halogen-free P/N of replacement:
P/N: 5085P063CH-24A1-NH



RECOMMENDED PCB LAYOUT

