

# 2.54-6.35 Pitch 6361 SERIES CONNECTOR



2.54 – 6.35 mm Pitch Board to Board Connector



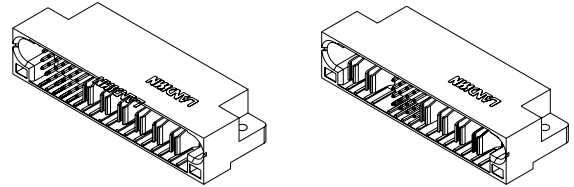
## 6361P Right-Angle Header Power Pitch=6.35mm

### Specifications

- ◇ Current rating: 2.5A (Signal), 30A (Power) AC/DC
- ◇ Voltage Range: 12V (Signal), 48V (Power) AC,DC
- ◇ Withstand Voltage: 1000V (Signal), 2500V (Power) AC/Minute
- ◇ Contact Resistance: 20 mΩ (Signal), 0.5 mΩ (Power) Max. (before environment test)
- ◇ Insulation Resistance: 5000 MΩ (Signal), 20000 MΩ Min.
- ◇ Temperature Range: -20°C to 105°C
- ◇ Applicable PC Board Thickness: 1.6mm

### Reference

- ◇ Mates with 6360R Socket Housing (Not Available)

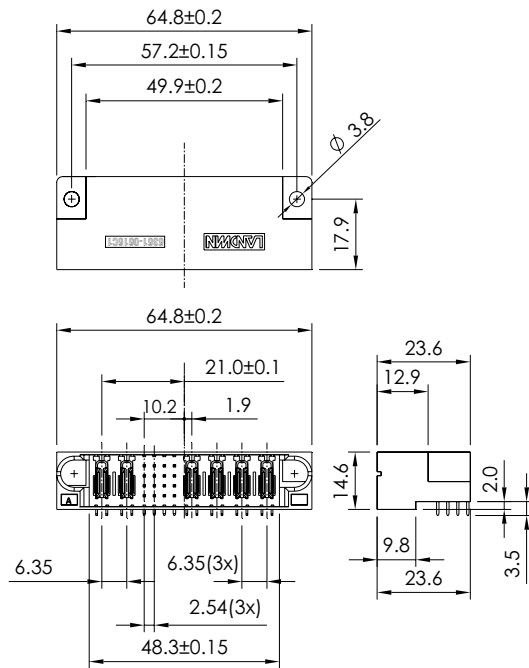
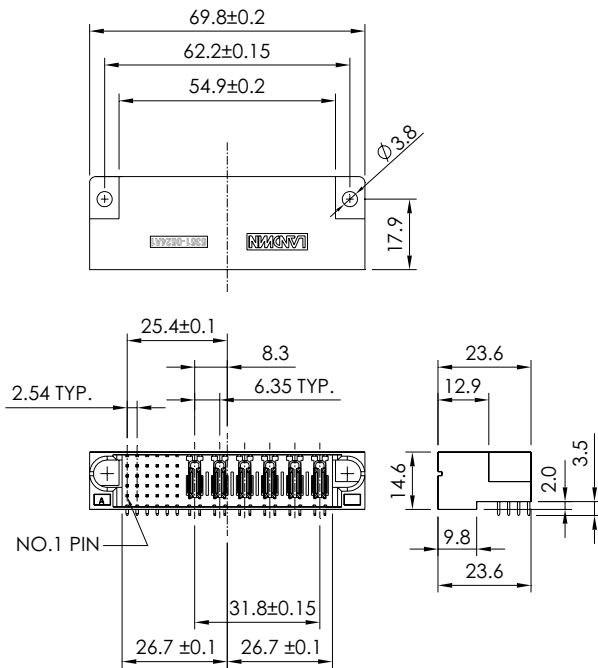


P/N: 6361P063CH-24A1

- ※ POWER = 6 PORTS (PITCH 6.35)
- ※ SIGNAL = 24 PORTS (PITCH 2.54)
- ※ Material:  
Base: High HDT Nylon 94V-0, Black  
Power Pin: Brass with Select Gold-Plated  
Signal Pin: 0.64 Sq. Brass with Select Gold-Plated
- ※ Available Halogen-free P/N of replacement:  
P/N: 6361P063CH-24A1-NH

P/N: 6361P063CH-16C1

- ※ POWER = 2+4 PORTS (PITCH 6.35)
- ※ SIGNAL = 16 PORTS (PITCH 2.54)
- ※ Material:  
Base: High HDT Nylon 94V-0, Black  
Power Pin: Brass with Select Gold-Plated  
Signal Pin: 0.64 Sq. Brass with Select Gold-Plated
- ※ Available Halogen-free P/N of replacement:  
P/N: 6361P063CH-16C1-NH



### RECOMMENDED PCB LAYOUT

