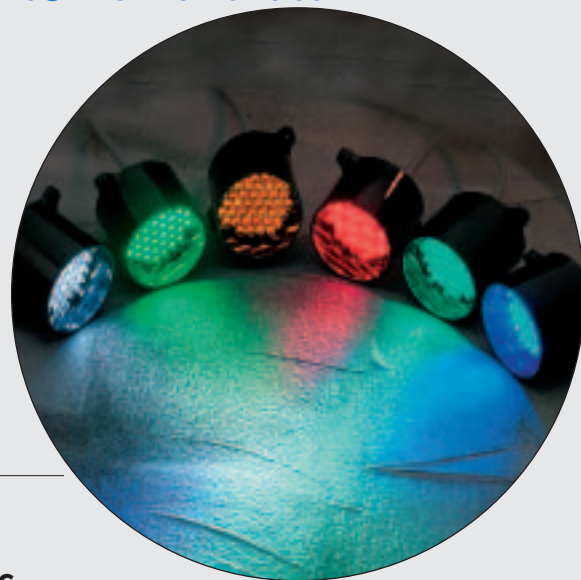


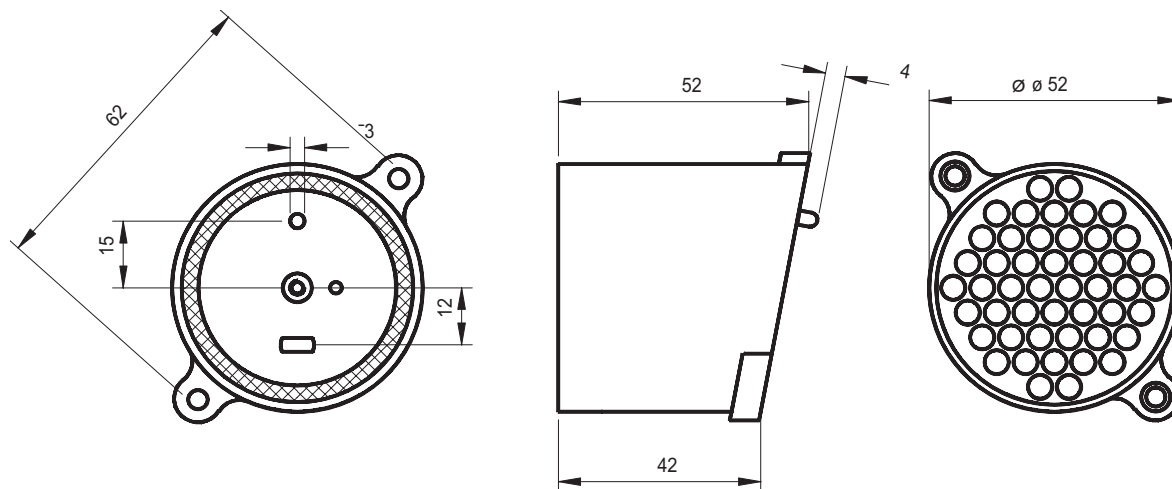


SLOAN AG
 Birmanngasse 8
 CH-4009 Basel
 Switzerland
 Tel.: +41 (0) 61 264 10 60
 Fax: +41 (0) 61 264 10 75
 E-Mail: sloan@sloan-basel.com
 www.sloan-basel.com



Sloan LED Cluster in all available Colours C52 / 24 VDC

LED-Colour	LED-Type	Voltage	Consumption	Overall Dimension	Number of built in LED's	Viewing angle	Luminous Intensity of each LED	Wavelength	Part Number
White	L5-W54N-BS	24 VDC	140mA (3.4W)	∅ 52mm	48	20°	9200mcd	Y=0.32/x=0.31	C52-W54N48D
White	L5-W57S	24 VDC	140mA (3.4W)	∅ 52mm	48	15°	3500-4500mcd	Y=0.32/x=0.31	C52-W57S48D
Red	L5-R91H	24 VDC	100mA (2.4W)	∅ 52mm	48	6°	12000-16000mcd	623nm	C52-R91H48D
Blue	L5-B91G	24 VDC	140mA (3.4W)	∅ 52mm	48	15°	4800mcd	470nm	C52-B91G48D
Green	L5-G81N	24 VDC	140mA (3.4W)	∅ 52mm	48	15°	16000mcd	525nm	C52-G81N48D
Bluish-Green	L5-BG1N	24 VDC	140mA (3.4W)	∅ 52mm	48	8°	12000mcd	500nm	C52-BG1N48D
Yellow	L5-Y91H	24 VDC	100mA (2.4W)	∅ 52mm	48	6°	9300mcd	594nm	C52-Y91H48D



Sloan LED Cluster in all available Colours C52 / 12 VDC

LED-Colour	LED-Type	Voltage	Consumption	Overall Dimension	Number of built in LED's	Viewing angle	Luminous Intensity of each LED	Wavelength	Part Number
White	L5-W54N-BS	12 VDC	270mA (3.3W)	∅ 52mm	48	20°	9200mcd	Y=0.32/x=0.31	C52-W54N48B
White	L5-W57S	12 VDC	270mA (3.3W)	∅ 52mm	48	15°	3500-4500mcd	Y=0.32/x=0.31	C52-W57S48B
Red	L5-R91H	12 VDC	140mA (1.7W)	∅ 52mm	48	6°	12000-16000mcd	623nm	C52-R91H48B
Blue	L5-B91G	12 VDC	270mA (3.3W)	∅ 52mm	48	15°	4800mcd	470nm	C52-B91G48B
Green	L5-G81N	12 VDC	270mA (3.3W)	∅ 52mm	48	15°	16000mcd	525nm	C52-G81N48B
Bluish-Green	L5-BG1N	12 VDC	270mA (3.3W)	∅ 52mm	48	8°	12000mcd	500nm	C52-BG1N48B
Yellow	L5-Y91H	12 VDC	200mA (2.4W)	∅ 52mm	48	6°	9300mcd	594nm	C52-Y91H48B

Specification: Operating temperature range: -25°C up to +55°C / resistant to vibrations / Protection IP67 / Long life up to 100000h
 Standard cable length 500mm / bright light with little generation of heat.

Applications: For light signals, mini spot lights, illumination in armed vehicles.

Optional: Cluster LED front protected with plexiglass (for vehicles).

