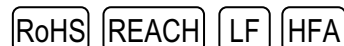


# 7.92 Pitch 3961, 3962 SERIES CONNECTOR



7.92 mm Pitch Wire to Board Connector



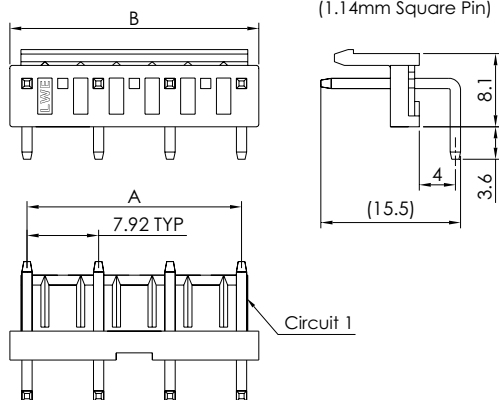
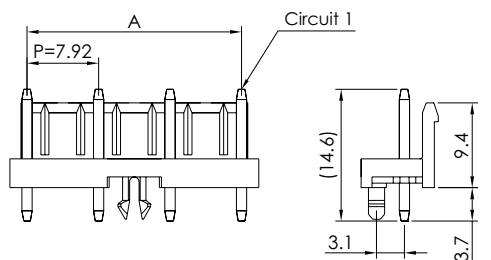
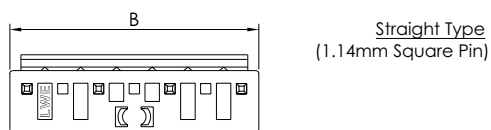
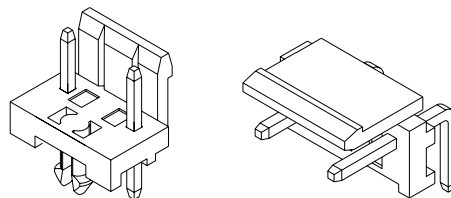
## 3961P, 3962P DIP Header, Type-F PITCH 7.92 mm

### Specifications

- ◇ Current rating: 7A AC/DC (AWG 18)
- ◇ Voltage Range: 250V AC,DC
- ◇ Withstand Voltage: 2500V AC/Minute
- ◇ Insulation Resistance: 1000 MΩ Min.
- ◇ Contact Resistance: 10 mΩ Max. before environment test
- ◇ Temperature Range: -40°C to 105°C
- ◇ Applicable PC Board Thickness: 1.6mm

### Reference

- ◇ Mates with 3960S Housing
- ◇ Certification: UL, CSA, TUV



### Ordering Information

Circuits	Part No. of Straight Header		Dimension	
	Black	Natural Color	A	B
2	3961P02 F0V	3962P02 F0V -S	7.92	13.76
3	3961P03 F0V	3962P03 F0V -S	15.84	21.68
4	3961P04 F0V	3962P04 F0V -S	23.76	29.60
5	3961P05 F0V	3962P05 F0V -S	31.68	37.52
6	3961P06 F0V	3962P06 F0V -S	39.60	45.44

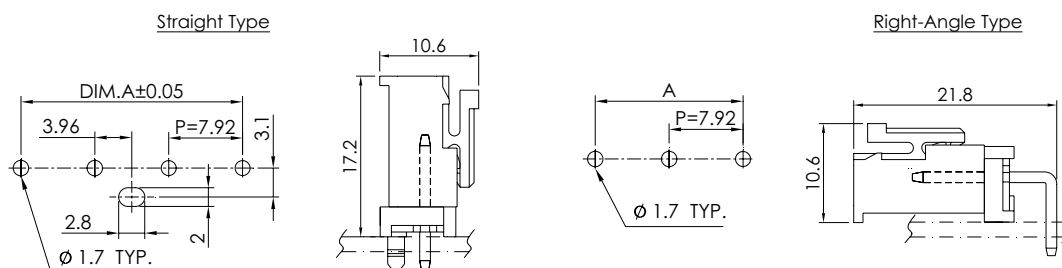
### Ordering Information

Circuits	Part No. of Right-Angle Header		Dimension	
	Black	Natural Color	A	B
2	3961P02 F0V	3962P02 F0V -S	7.92	13.76
3	3961P03 F0V	3962P03 F0V -S	15.84	21.68
4	3961P04 F0V	3962P04 F0V -S	23.76	29.60
5	3961P05 F0V	3962P05 F0V -S	31.68	37.52
6	3961P06 F0V	3962P06 F0V -S	39.60	45.44

### Material

Part	Material	Remark
Base	Nylon 66 94V-0	
Contact	Brass, Matte Tin-Plated	

### P.C. Board Layout / Assembly Layout



# 7.92 Pitch 3961, 3962 SERIES CONNECTOR



7.92 mm Pitch Wire to Board Connector



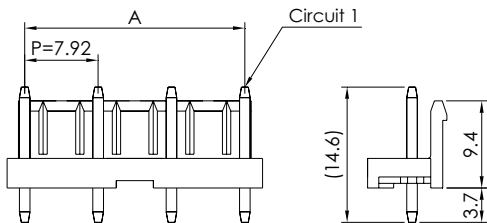
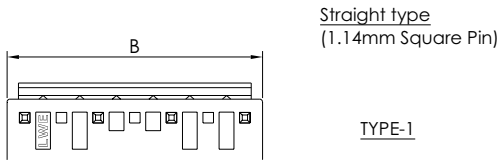
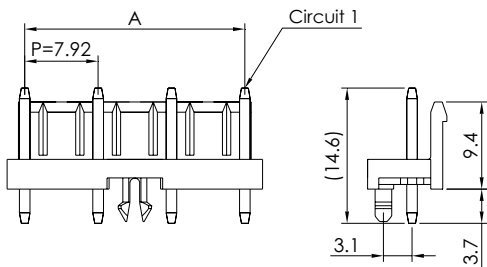
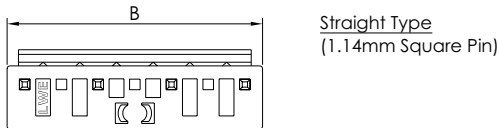
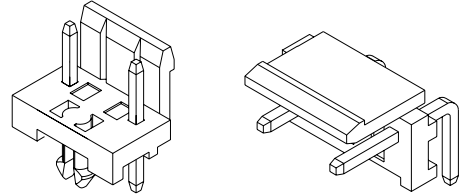
## 3961P, 3962P DIP Header, HHCS PITCH 7.92 mm

### Specifications

- ◇ Current rating: 7A AC/DC (AWG 18)
- ◇ Voltage Range: 250V AC,DC
- ◇ Withstand Voltage: 2500V AC/Minute
- ◇ Insulation Resistance: 1000 MΩ Min.
- ◇ Contact Resistance: 10 mΩ Max. before environment test
- ◇ Temperature Range: -40°C to 105°C
- ◇ Applicable PC Board Thickness: 1.6mm

### Reference

- ◇ Mates with 3960S Type-A HHCS Housing



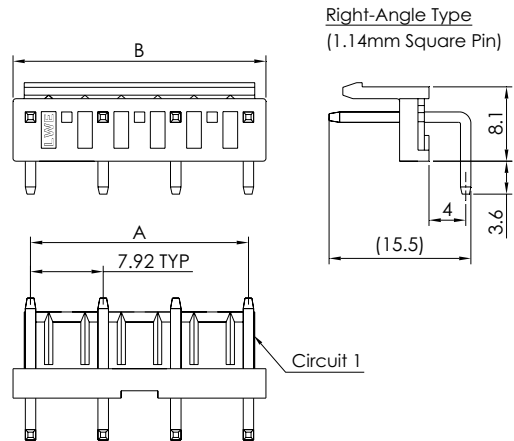
### Ordering Information

Circuits	Part No.		Dimension	
	Straight	Right Angle	A	B
2	3961P02F1V -A	3962P02F1V -A	7.92	13.76
	3961P02F1V -A1			
3	3961P03F1V -A	3962P03F1V -A	15.84	21.68
	3961P03F1V -A1			
4	3961P04F1V -A	3962P04F1V -A	23.76	29.60
	3961P04F1V -A1			
5	3961P05F1V -A	3962P05F1V -A	31.68	37.52
	3961P05F1V -A1			
6	3961P06F1V -A	3962P06F1V -A	39.60	45.44
	3961P06F1V -A1			

### Material

Part	Material
Base	Heat Nylon 66 94V-0, Light Ivory
Contact	Brass, Matte Tin-Plated

※ Available P/N of Halogen-Free replacement:  
 3961P xx F1V-ANH (xx : Circuit No.)  
 3961P xx F1V-A1-NH (xx : Circuit No.) TYPE-1  
 3962P xx F1V-ANH (xx : Circuit No.)



### P.C. Board Layout / Assembly Layout

